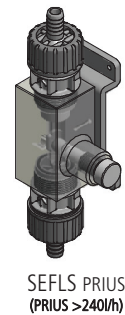
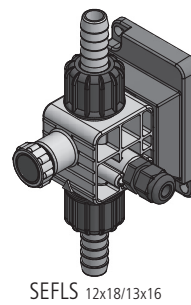
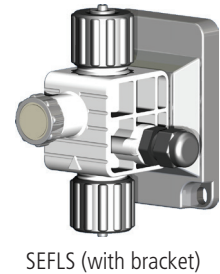


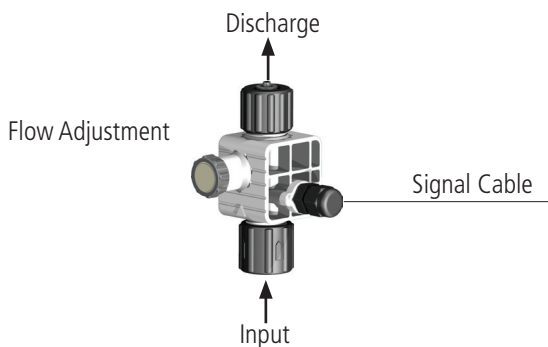
SEFL is a flow sensor device made for checking if the connected dosing pump is working properly by checking if a liquid is flowing through the pump's head. It has a control knob to regulate sensibility for every kind of pump.

FEATURES

- PVDF or PP or PMMA body
- N.C. contact
- Adjustable sensitivity
- FKM B or EPDM O-ring
- LPV version available for viscosity liquid application up 8000 cPs
- Max 45°C / 25 bar
- Activity LED on board
- Maximum electrical ratings of the SEFL
Max current = 0.010 A
Max Voltage = 24 VAC-DC
Resistive load
- On request PMMA bracket for KMS MF or AMS MF mounting
- Max operating flow 150 l/h - Minimum: 1 l/h

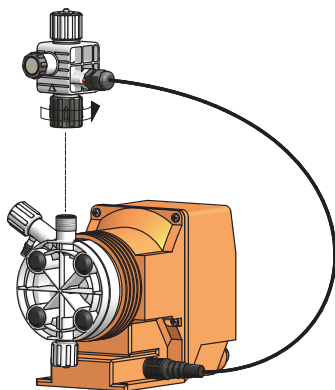


R2-09-20



INSTALLATION

SEFL
(fittings for installation on the pump)

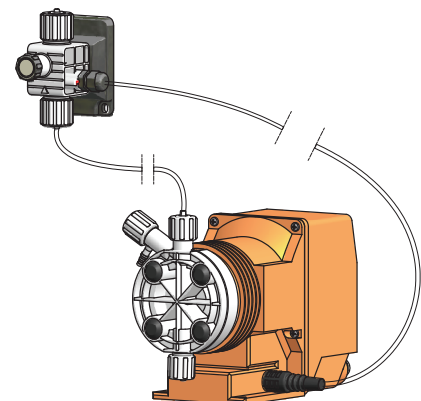


1. Install SEFL connecting it to the pump head discharge connection. Take out the discharge connection tube nut and screw the SEFL connection onto the discharge.

2. Install the discharge hose on the discharge point of SEFL (top) locking it tight.

3. Carry out the electrical wiring connecting the SEFL to the MF pump or any other pump with sefl input. Working mode is a continuous ON/OFF contact.

SEFLS
(bracket version. Hose fitting kit)

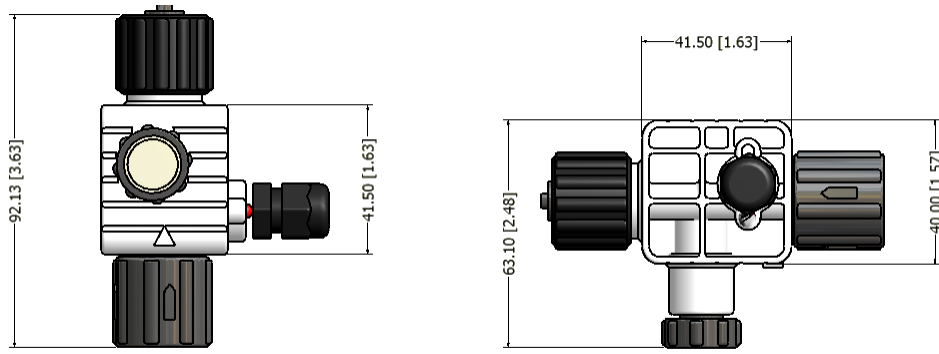


"SEFL" - FLOW SENSOR

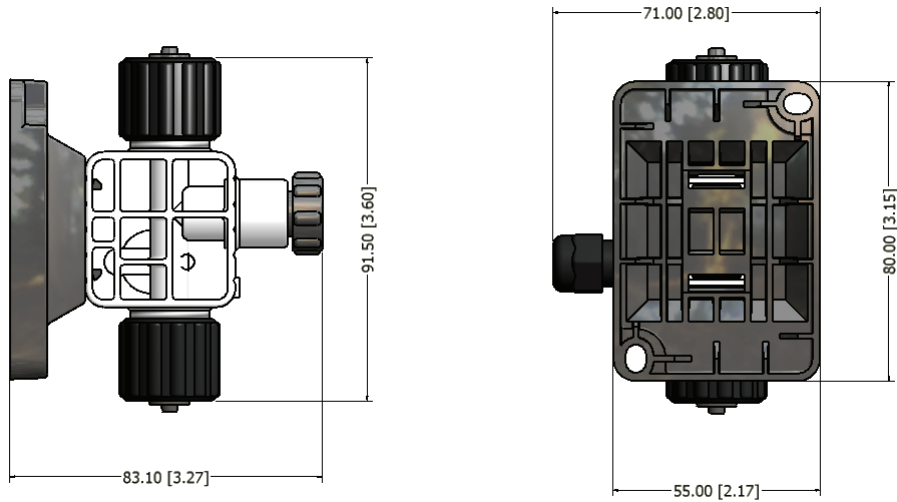
Data Sheet

DIMENSIONS

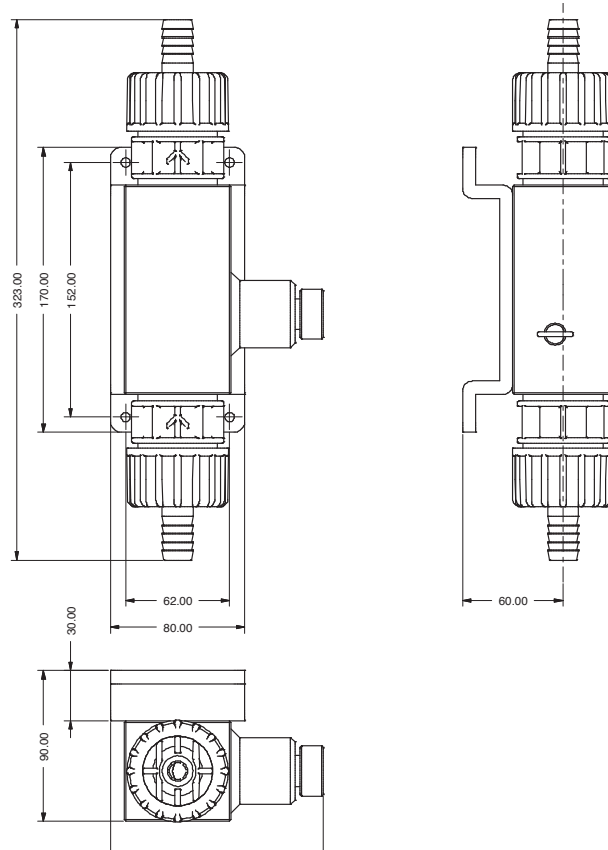
SEFL



SEFLS



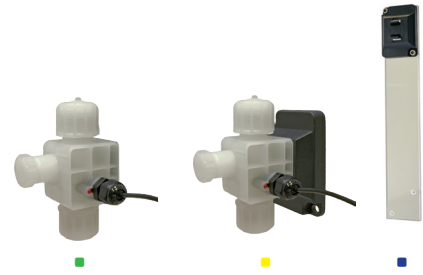
SEFLS PMMA



SEFL

Flow sensors

> With activity LED



model	material	o-ring	fitting	temperature (°C)	pressure (bar)	bracket and hose fixing kit
■ SEFL/D	PP	EPDM	1/2" - 3/8"	45	25	-
■ SEFL/V	PVDF	Fkm b	1/2" - 3/8"	45	25	-
■ SEFL/V/LPV	PVDF	Fkm b	1/2" - 3/8"	45	25	-
■ SEFLS/D	PP	EPDM	1/2" - 3/8"	45	25	■
■ SEFLS/V	PVDF	Fkm b	1/2" - 3/8"	45	25	■

PMMA BRACKETS

description

- Bracket for mounting on KMS MF
- Bracket for mounting on AMS MF

FLOW SENSOR

model	materials
SEFLMS/PRIUS 160/1000L	Flow sensor for PRIUS MF
SEFLMS/PRIUS 160/1000L	Flow sensor for PRIUS MF



FLOW SENSOR

code	model	description
SEFL V530020NX000	SEFL/V	Flow sensor for Lotus: PVDF body, FKM B oring.

"SEFL" - FLOW SENSOR

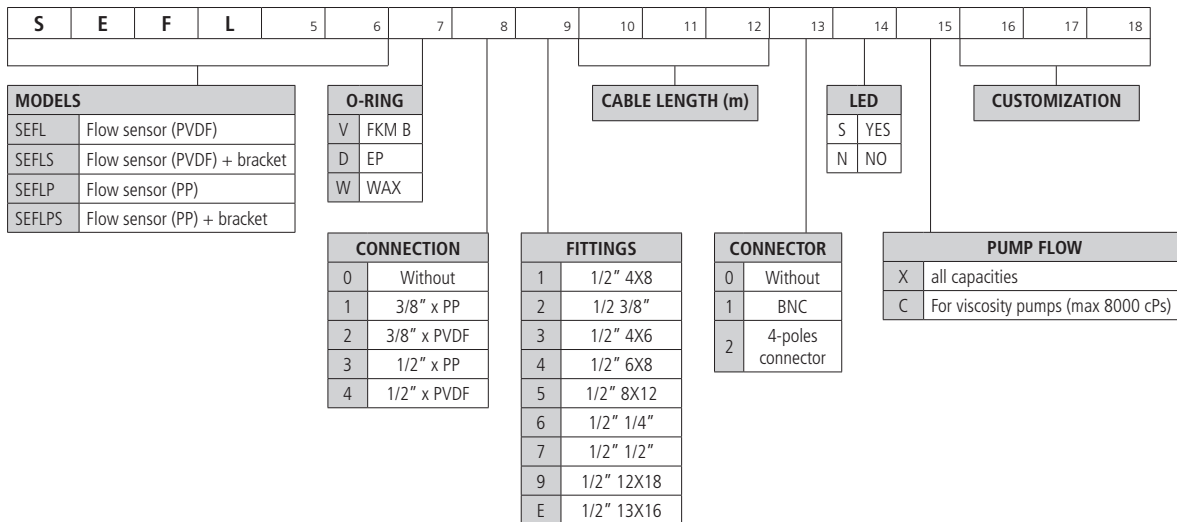
Data Sheet

MODELS

	BODY	FITTINGS	VALVES	O-RING	FLOATER	FLOW KNOB	CABLE
SEFL/D	PVDF	1/2" - 3/8"	PVDF	EPDM	PTFE	PVDF	PE
SEFL/V	PVDF	1/2" - 3/8"	PVDF	FKM B	PTFE	PVDF	PE
SEFLS/D	PVDF	1/2"	PVDF	EPDM	PTFE	PVDF	PE
SEFLS/V	PVDF	1/2"	PVDF	FKM B	PTFE	PVDF	PE
SEFLP/D	PP	1/2" - 3/8"	PP	EPDM	PTFE	PP	PE
SEFLP/V	PP	1/2" - 3/8"	PP	FKM B	PTFE	PP	PE
SEFLPS/D	PP	1/2"	PP	EPDM	PTFE	PP	PE
SEFLPS/V	PP	1/2"	PP	FKM B	PTFE	PP	PE
SEFLS/D/PRIUS ²	PMMA	1 1/2" - 18	PVDF	EPDM	PTFE	PVDF	PE
SEFLS/V/PRIUS ²	PMMA	1 1/2" - 18	PVDF	FKM B	PTFE	PVDF	PE

² For PRIUS with TM pump head (capacity over 240 l/h) and UM pump head.

CODE



CODES FOR SEFLS/PRIUS

10882511 - SEFLS/PRIUS 1-1/2" FP

10882651 - SEFLS/PRIUS 1-1/2" EP