

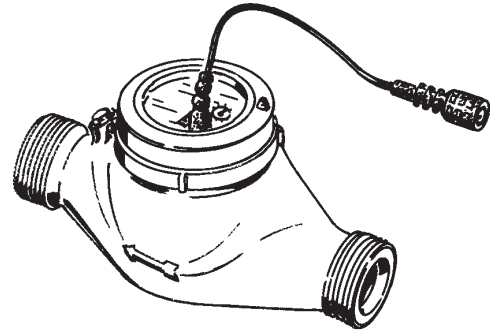
TURBINE PULSE EMITTER WATER METER

Data Sheet

R14-07-22

FEATURES

- Threaded pulse emitter water meter for cold and hot water, single (mod. 15 - 20 - 25 - 30 - 40) and multiple (mod. 50) jet counter with wet or dry dial
- Thread sizes range: from 1/2" to 2"
- Brass case and head (except for 50mm 2" model with cast iron case and head)
- Working temperature: cold water up to 30° C, hot water up to 90° C (mod. CTCI)
- 2m cable length (RG58), equipped with BNC connector
- Reed contact with 10⁹ closing operations
- Max voltage 250 VAC, 200 VDC
- Max current 1.0 A
- Max power 10 VA
- Available water meter without pulse emitter



Configuration Info

MODELS		
CTCI	" CTCI "	hot water pulse emitter water meter
CTFI	" CTFI "	cold water pulse emitter water meter
CTFIT	" CTFIT "	cold water pulse emitter water meter, PTFE internal and external coating
CTCIT	" CTCIT "	hot water pulse emitter water meter, PTFE internal and external coating
CTFIG	" CTFIG "	cold water pulse emitter water meter with pump "C" holder
CTCIG	" CTCIG "	hot water pulse emitter water meter with pump "C" holder
CATCI	" CATCI "	hot water pulse emitter water meter, dry dial
CATFI	" CATFI "	cold water pulse emitter water meter, dry dial
CATFT	" CATFIT "	cold water pulse emitter with dry dial with Teflon inside and outside

Model **CTCI.** **015** **0** **04** **L** **0** **2.5**

GAUGES		
	inc	mm
015	1/2	15
020	3/4	20
025	1	25
030	1.1/4	30
040	1.1/2	40
050	2	50

CONNECTORS	
0	BNC
1	2 wires
3	2 wires (coaxial cable)

QUANTITY PER PULSES	
L	1 litre
D	10 litres
C	100 litres
M	1000 litres

PULSES PER LITRE	
refer to the tables "Pulses per litre"	

TURBINE PULSE EMITTER WATER METER Data Sheet

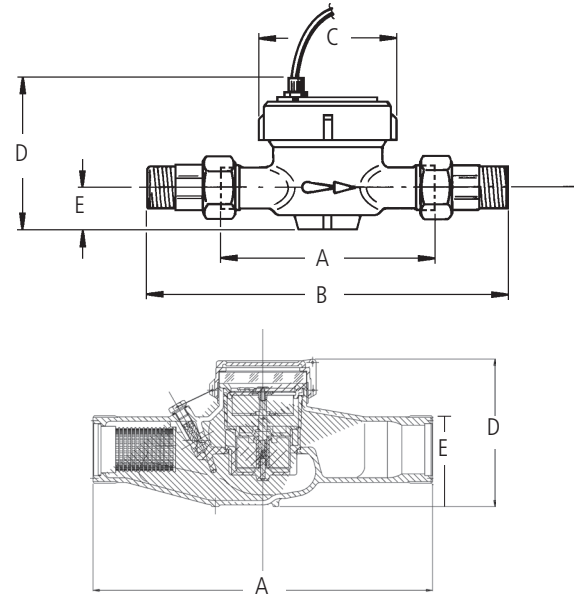
PULSES PER LITRE

Pulses per liter table for CTFI / CTCI / CTFIT / CTCIT							
Pulses for	Water Meter Caliber						
	15	20	25	30	40	50	
1 lt	35 - 70 - 140 1-2-4	22.5 - 45 90 1-2-4	12 - 24 48 1-2-4	12 - 24 48 1-2-4	4.5 - 9 18 1-2-4		1-2-4
10 lt	1-2-4	1-2-4	1-2-4	1-2-4	1-2-4		1-2-4
100 lt	1-2-4	1-2-4	1-2-4	1-2-4	1-2-4		1-2-4
1000 lt	1-2-4	1-2-4	1-2-4	1-2-4	1-2-4		1-2-4

Pulses per liter table for CATFI / CATFIT / CATCI / CATCIT							
Pulses for	Water Meter Caliber						
	15	20	25	30	40	50	
1 lt	35 - 70 - 140 1-2-4	22.5 - 45 90 1-2-4	1-2-4	1-2-4	1-2-4		1-2-4
10 lt	1-2-4	1-2-4	1-2-4	1-2-4	1-2-4		1-2-4
100 lt	1-2-4	1-2-4	1-2-4	1-2-4	1-2-4		1-2-4
1000 lt	1-2-4	1-2-4	1-2-4	1-2-4	1-2-4		1-2-4

DIMENSIONS

Gauge		mm inch	15	20	25	30	40	50
			1/2	3/4	1	1.1/4	1.1/2	2
Length without hose fittings	A	mm	110	130	160	160	200	300
Length with hose fittings	B	mm	190	228	260	280	340	460
Width	C	mm	80	80	100	100	110	108
Height	D	mm	110	110	132	132	137	130,5
Height from hose	E	mm	24	24	34	34	42	50,5
Weight with hose fitting		Kg	0,850	1,100	1,750	2,000	3,460	-
CEE approval number			B93 320 01	B93 320 02	B97 320 03	B97 320 04	B99 320 11	B02 320 13



FEATURES

Gauge		mm inch	15 1/2	20 3/4	25 1	30 1.1/4	40 1.1/2	50 2
Inertial breaking	l/h		10	15	20	20	25	50
Max temporary flow delivery	m³/h		3	5	7	10	20	30
Flow delivery with 10m of load loss	m³/h		3	5	7	10	20	30
Nominal flow rate	m³/h		1.5	2.5	3.5	5	10	15
First precision delivery ± 5%	l/h		30	50	70	100	200	450
Second precision delivery ± 2%	l/h		120	200	280	400	800	3000
Max operation pressure	bar		16	16	16	16	16	16
Minimum reading	l		0.1	0.1	0.1	0.1	0.1	0.5
Maximum reading	m³		10 ⁵	10 ⁵	10 ⁵	10 ⁵	10 ⁵	10 ⁶
Turbine revs per liter	g/l		34.8	22.5	11.7	11.7	4.5	3.16

